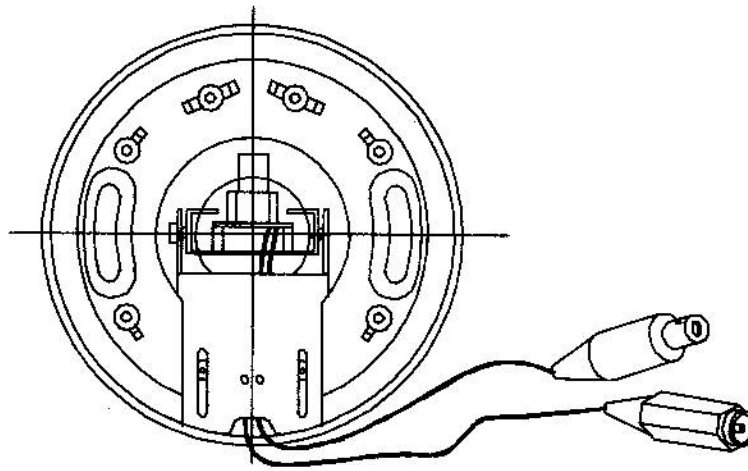
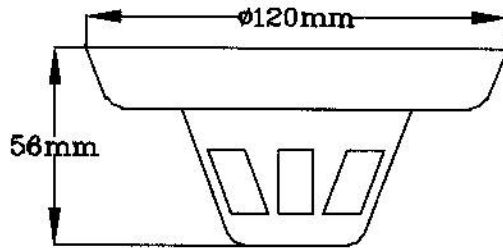


## SPECIFICATION

MODE	NTSC	PAL
PICK UP	<b>1/3</b> Inch Inter Line Transfer CCD	
IMAGE SIGNAL PROCESS	Digital Signal Processing System	
NUMBER OF PIXEL	510 (H) × 492 (V)	500 (H) × 582 (V)
PICTURE ELEMENTS	Approximately <b>250K</b>	Approximately <b>290K</b>
HORIZONTAL RESOLUTION	<b>Max 420 TV Lines</b>	
SYNC SYSTEM	Internal	
AUTO GAIN CONTROL	YES	
WHITE BALANCE	YES	
BACK LIGHT COMPENSATION	AUTO	
SCANNING SYSTEM	2 : 1 Interlace	
ELECTRONIC SHUTTER	AUTO: 1/60 S TO 1/10000 S	AUTO: 1/50 S TO 1/10000 S
S/N RATIO	Max 48 dB	
SENSITIVITY	<b>0.01 LUX</b>	
VIDEO OUTPUT SIGNAL	1 Vp-p Composite Video Output, 75 Ohms	
POWER SUPPLY	DC 12V ±1V	
POWER CONSUMPTION	120mA	
LENS MOUNT	<b>3.7 mm</b>	
OPERATING TEMPERATURE	-5° C ~ +45° C	
WEIGHT	About 180g.	
DIMENSIONS	Diameter : 120mm L. : 56mm	

## DIMENSION



影像訊號線輸出  
(VIDEO OUT)

電源 DC12V

POWER JACK DC12V

